



# PRODUCT CATALOGUE

'24-25

[WWW.SABTAJ.AE](http://WWW.SABTAJ.AE)





**Baeckerhaft**

## About Baeckerhaft


Baeckerhaft is a German brand established long ago, with deep historical roots and a rich technical background. We're devoted to ensuring that our solutions are harmonious with our historical roots, but also meet the needs of modern and cultural gastronomes. We are specialized in kitchen technologies with an aesthetic touch, and we bring innovation and special features to the table that even go beyond ordinary experiences.

## About Sabtaj

SabTaj Appliances is a leading provider of built-in kitchen appliances sinks, mixers & kitchen accessories an industry expert with over 10 years of experience. Our mission is to deliver high-quality, innovative products and exceptional customer service, making us the preferred choice for home owners, kitchen specialist, architects, and interior designers in the Region

 SABTAJ APPLIANCES TRADING CO LLC

 1401 Empire Heights Business Bay Dubai UAE

 [info@sabtaj.ae](mailto:info@sabtaj.ae)  
[www.sabtaj.ae](http://www.sabtaj.ae)  
[www.baeckerhaft.com](http://www.baeckerhaft.com)

 +971 50 331 8014



# INDEX

<b>1 Overview</b> .....	<b>1</b>
<b>2. Ovens</b> .....	<b>2 - 9</b>
<b>3. Microwaves</b> .....	<b>10 - 14</b>
<b>4. Hobs</b> .....	<b>15 - 27</b>
<b>5. Freestanding Cookers</b> .....	<b>28 - 31</b>
<b>6. Refrigerators</b> .....	<b>32 - 34</b>
<b>7. Dishwasher</b> .....	<b>35 - 36</b>
<b>8. Washing Machine</b> .....	<b>37 - 39</b>
<b>9. Sink and Tap</b> .....	<b>40 - 66</b>
<b>10. Accessories &amp; Wardrobe</b> .....	<b>67 - 116</b>

## OVERVIEW

While we design and develop our solutions, we are also so keen on efficiency, performance, safety, durability, functionality, sustainability and more. Our designs have made us a top priority in global markets.

We do consider every single aspect of our solutions before launching any product. We never launch anything until we've received solid positive results from globally well-known testing institutes besides modern users' experiences.

Besides providing the best performance and optimum reachable solution and appointing reliable distributors worldwide to represent our brand on the highest aspects you can always consider those distributors as your solution partners! They will provide high-skill consultation to use optimum solutions for your projects and fully cover your needs.





# OVENS

High performance is achieved through smart technologies and strong design. As we spend a great deal of our time there, who doesn't want a clean and aesthetic kitchen?



### MEAT PROBE

It gives very accurate cooking results by measuring the internal temperature of the food.



### TELESCOPIC RAIL

Allows you to remove trays easily from the oven. This makes usage of trays more convenient and easy to use.



### CHILD SCREEN LOCK

No matter what key your child plays on the screen, the settings of your oven can't be changed.



### COOL DOOR

The reflective glass on the inside of the door significantly reduces the temperature of the outer part of the door at all ovens. So, it provides a safer environment when preparing the delicious meals in the oven.



### 3D AIR FLOW

It provides proper heat distribution for uniform cooking and convenient for cooking up to 3 trays.



72l

### LARGE CAVITY SIZE

It gives flexibility to prepare larger meals with its 72 liter net volume.



### SELF-CLEAN +

The quick and easy option for effortless cleaning thanks to catalytic panels. The back and side wall panels absorb dirt that splashes from food.



### SELF-CLEAN

Above advantage is available only for back wall.



### SOFT CLOSE

It slows down the movement of the door and ensures your oven door closes gently.



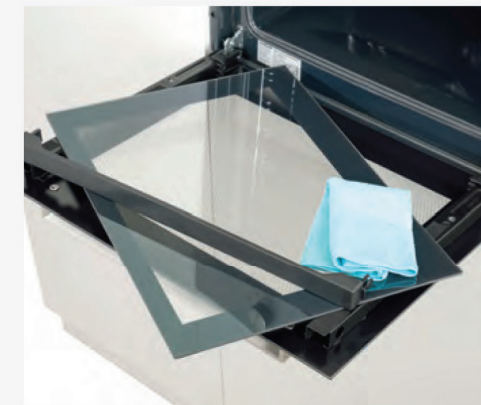
### SOFT OPEN CLOSE

It slows down the movement of the door and ensures your oven door opens and closes gently.



### EASY CLEANING

The easy cleaning for day to day maintenance.



### EASY EXTRACT

It enables to remove easily the front glass panels of the oven.



### ANTI - FINGER INOX

Anti-finger inox surface provides comfort in cleaning.



### STEAM CLEAN

The heat turns water into steam and softens food residuals for easy cleaning.



## BUILT-IN OVEN

60 CM



Ref: BH016111001

### 60cm BUILT IN MULTI FUNCTION OVEN

- BBEO66D
- 60cm BUILT IN MULTI FUNCTION TOUCH CONTROL OVEN
- BLACK TEMPERED GLASS DESIGN
- STAINLESS STEEL DOOR HANDLE TURBO (FAN WITH HEATING ELEMENT)
- ELECTRONIC MULTIFUNCTION (11F)
- 64 LITERS
- UP & DOWN HEATING ELEMENTS
- LED FULL TOUCH ELECTRONIC PROGRAMMER
- WITH START/END COOKING
- LIMIT THERMOSTAT
- OVEN LAMP
- 1 OVEN TRAY
- 1 OVEN WIRE GRID
- A CLASS ENERGY AS WHITE GLASS WOOL INSULATION
- COOLING FAN
- DOUBLE GLASS OVEN DOOR

DIMENSION: W\*D\*H - 595\*545\*595



Ref: BBEO66D

### 60cm BUILT IN MULTI FUNCTION OVEN 2 KNOB WITH DIGITAL TIMER

- COOLING FAN
- UP & DOWN HEATING ELEMENTS
- GRILL HEATER
- TURBO FAN
- 6 COOKING FUNCTION
- LIMIT THERMOSTAT
- STAINLESS STEEL & BLACK TEMPERED GLASS COMBINED
- 1 OVEN TRAY
- 1 OVEN WIRED GRID
- A CLASS ENERGY AS WHITE GLASS WOOL INSULATION
- DOUBLE GLASS OVEN DOOR
- SILVER COLOR POP UP KNOBS & ALUMINIUM HANDLE

DIMENSION: W\*D\*H - 595\*545\*595

## BUILT-IN OVEN

60 CM



REF : BH016091002

### 60cm BUILT IN MULTI FUNCTION OVEN

- CONTROL: 2 KNOB WITH DIGITAL TIMER
- OVEN FINISH: BLACK GLASS, BLACK
- CONTROL ELEMENTS
- NUMBER OF FUNCTION: 9
- VOLUME: 78 L
- GLASS DOOR: DOUBLE WITH SCHOTT GLASS
- EQUIPMENT: 1 GRILL, 1 BAKING TRAY, 1 FRYART BAKING TRAY
- POWER CONSUMPTION: 3260 W
- ENERGY EFFICIENCY CLASS: A
- MAXIMUM TEMPERATURE: 250 °C

DIMENSION: W\*D\*H - 595\*547\*595



REF : BH016091003

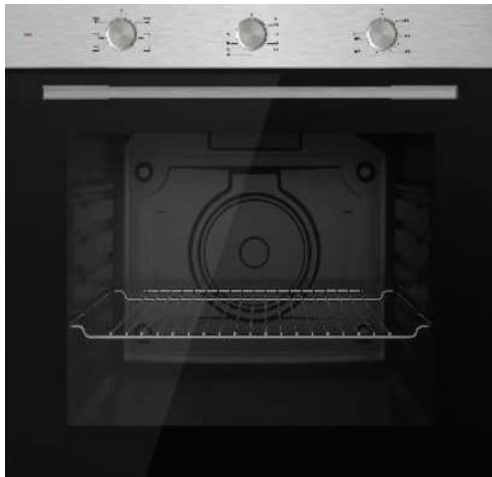
### 60cm BUILT IN MULTI FUNCTION OVEN

- CONTROL: 3 KNOB WITH MECHANICAL TIMER
- FINISH: BLACK GLASS, BLACK CONTROL ELEMENTS
- NUMBER OF FUNCTION: 7
- LIGHT
- VOLUME: 78 L
- DOOR GLASS: DOUBLE, INTERNAL SCHOTT
- GUIDES: STANDARD
- EQUIPMENT: 1 GRILL, 1 BAKING TRAY
- POWER CONSUMPTION: 2352 W
- ENERGY CONSUMPTION CLASS: A
- MAXIMUM TEMPERATURE: 225 °C

DIMENSION: W\*D\*H - 595\*547\*595

## BUILT-IN OVEN

60 CM



REF : BH016061004

### 60cm BUILT IN MULTI FUNCTION OVEN

- CONTROL: MECHANICAL, TIMER
- FINISH: BLACK GLASS, SS CONTROL PANEL
- 5 COOKING FUNCTION
- VOLUME: 78 L
- DOOR GLASS: DOUBLE, INTERNAL SCHOTT
- EQUIPMENT: 1 GRILL, 1 BAKING TRAY
- POWER CONSUMPTION: 2352 W
- ENERGY CONSUMPTION CLASS: A
- MAXIMUM TEMPERATURE: 225 °C

DIMENSION: W\*D\*H - 595\*547\*595



## BUILT-IN OVEN

60 CM



REF : BH016091002

### 60cm BUILT IN MULTI FUNCTION OVEN

- COOLING FAN
- UP HEATING ELEMENTS
- GAS OVEN
- LIMIT THERMOSTAT
- OVEN LAMP
- STAINLESS STEEL CONTROL PANEL
- 1 OVEN TRAY
- 1 OVEN WIRED GRID
- SINGLE LOWER STAINLESS STEEL STRIPE ON OVEN DOOR GLASS
- AUTOMATIC IGNITION
- TURNSPIT( CHICKEN ROTISSERIE)
- SILVER COLOR HANDLE & KNOBS

DIMENSION: W\*D\*H - 595\*547\*595



REF : BH016062006

### 60cm BUILT IN MULTI FUNCTION OVEN

- COLOUR OF PANEL BLACK GLASS
- COLOUR OF DOOR BLACK GLASS
- DOOR DECOR X
- GAS&GAS
- GAS THERMOSTAT (THERMOSTATIC CONTROL) X
- IGNITION YES
- FFD YES
- TURBO FAN YES
- COOLING FAN YES
- DOOR LAYER
- DOUBLE LAYER GLASS WITH INNER LOW-E

DIMENSION: W\*D\*H - 595\*547\*595

## BUILT-IN OVEN

90 CM



REF : BH019042007

### 90cm BUILT IN GAS OVEN

- A ENERGY CLASS
- CONTROL PANEL: GLASS WITH 2 KNOBS
- COOLING FAN
- UP AND DOWN GAS BURNERS (CAST FUTURA OVEN BURNERS)
- FFD (SAFETY DEVICE) FOR TWO BURNERS IGNITION
- THERMOSTAT FOR GAS OVEN
- DIGITAL TIMER FOR GAS OVEN
- OVEN OUTER GLASS: BLACK GLASS
- OVEN INNER GLASS: REMOVABLE GLASS
- OVEN LAMP (2 PCS) WHITE INSULATION
- SIDE WIRE RACKS ALUMINUM HANDLE
- 1 TRAY + 1 GRID
- LPG OR NG ADJUSTED

DIMENSION: W\*D\*H - 895\*565\*595



www.tan-berg.com  
07028  
7028



# MICROWAVE

High performance is achieved through smart technologies and strong design. As we spend a great deal of our time there, who doesn't want a clean and aesthetic kitchen?

## BUILT-IN COMBI MICROWAVE



REF : BH025144001

### 44L BUILT IN COMBI OVEN MICROWAVE

- 5 POWER LEVELS
- ELECTRONIC TOUCH CONTROL COMMANDS WITH 2 KNOBS
- DIGITAL CLOCK AND TIMER
- 13 AUTO MENUS
- STAINLESS STEEL CAVITY
- PULL DOWN DOOR
- 2 GRILL RACKS, ENAMEL TRAY - GRILL
- POWER: 1.7 KW
- INPUT POWER 3.35 KW -BLACK

DIMENSION: W\*D\*H - 595\*548\*454



REF : BH025244002

### 44L BUILT IN COMBI OVEN MICROWAVE

- 5 POWER LEVELS ELECTRONIC TOUCH CONTROL COMMANDS WITH 2 KNOBS
- DIGITAL CLOCK AND TIMER 13 AUTO MENUS
- STAINLESS STEEL CAVITY PULL DOWN DOOR
- 2 GRILL RACKS, ENAMEL TRAY - GRILL
- POWER: 1.7 KW
- INPUT POWER 3.35 KW -INOX

DIMENSION: W\*D\*H - 595\*548\*454

## BUILT-IN COMBI MICROWAVE



REF : BH024225003

### 25 L BUILTIN MICROWAVE + GRILL

- 25L BLACK GLASS MWO WITH GRILL
- 230V/50HZ, 900W MICROWAVE OUTPUT
- WITH GRILL FUNCTION, 1200W GRILL INPUT, WITHOUT CONVECTION.
- RED DISPLAY
- MICROWAVE & GRILL FUNCTION
- CHILD SAFETY LOCK
- DEFROST BY WEIGHT AND TIME
- COOKING END SIGNAL
- 5 LEVEL POWER LEVEL, 8 COOK MENUS
- 60 MINUTES DIGITAL TIMER
- TOUCH CONTROL
- STAINLESS STEEL CAVITY

DIMENSION: W\*D\*H - 592\*382\*390



REF : BH024120004

### 25 L BUILTIN MICROWAVE + GRILL

- 25L STAINLESS STEEL MWO WITH GRILL
- 230V/50HZ, 900W MICROWAVE OUTPUT
- WITH GRILL FUNCTION, 1000W GRILL INPUT, WITHOUT CONVECTION.
- TIME/WEIGHT DEFROST
- 8 LEVEL POWER LEVEL
- 8 AUTO-COOKING MENUS
- MULTI-SECTION COOKING
- SAFETY LOCK/CLOCK/KITCHEN TIMER FUNCTION
- STAINLESS STEEL CAVITY

DIMENSION: W\*D\*H - 595\*400\*388

## BUILT-IN COMBI MICROWAVE



REF : BH024225005

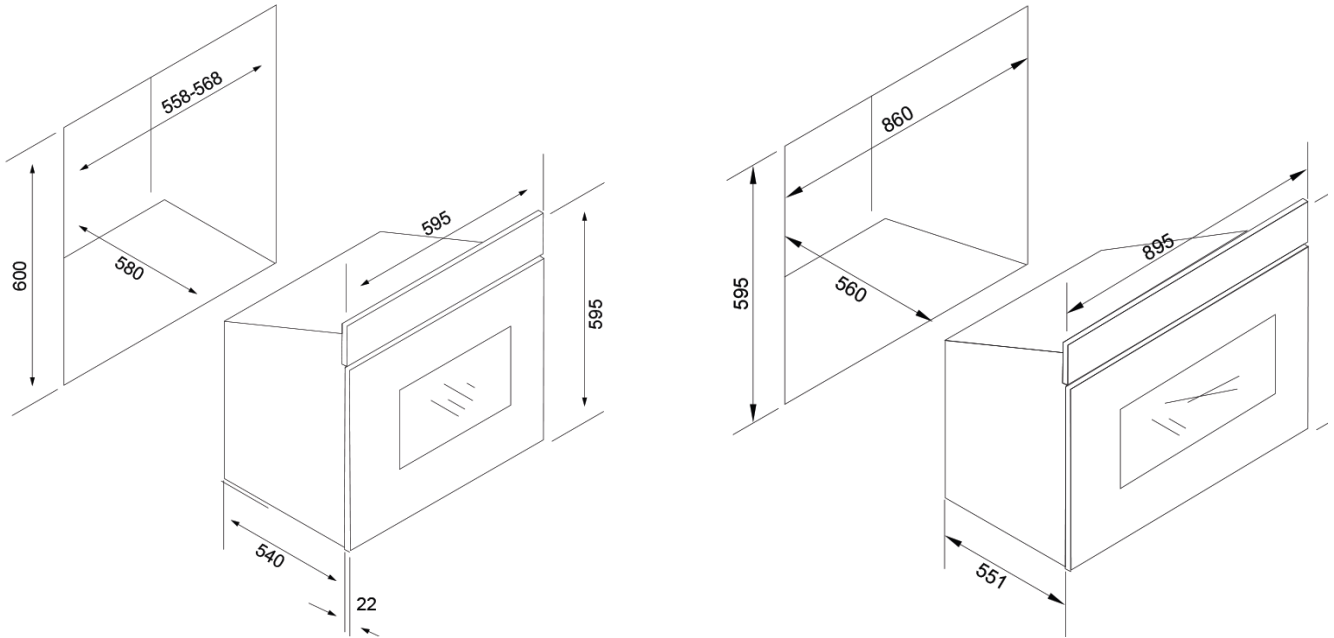
### 20 L BUILTIN MICROWAVE + GRILL

- 20L BLACK DOOR GLASS MWO WITH GRILL
- 230V/50HZ, 800W MICROWAVE OUTPUT
- WITH GRILL FUNCTION, 1000W GRILL INPUT, WITHOUT CONVECTION.
- RED DISPLAY
- MICROWAVE & GRILL FUNCTION
- CHILD SAFETY LOCK/CLOCK/KITCHEN TIMER FUNCTION
- DEFROST BY WEIGHT AND TIME
- COOKING END SIGNAL
- 5 LEVEL POWER LEVEL
- 8 AUTO-COOKING MENUS
- STAINLESS STEEL CAVITY

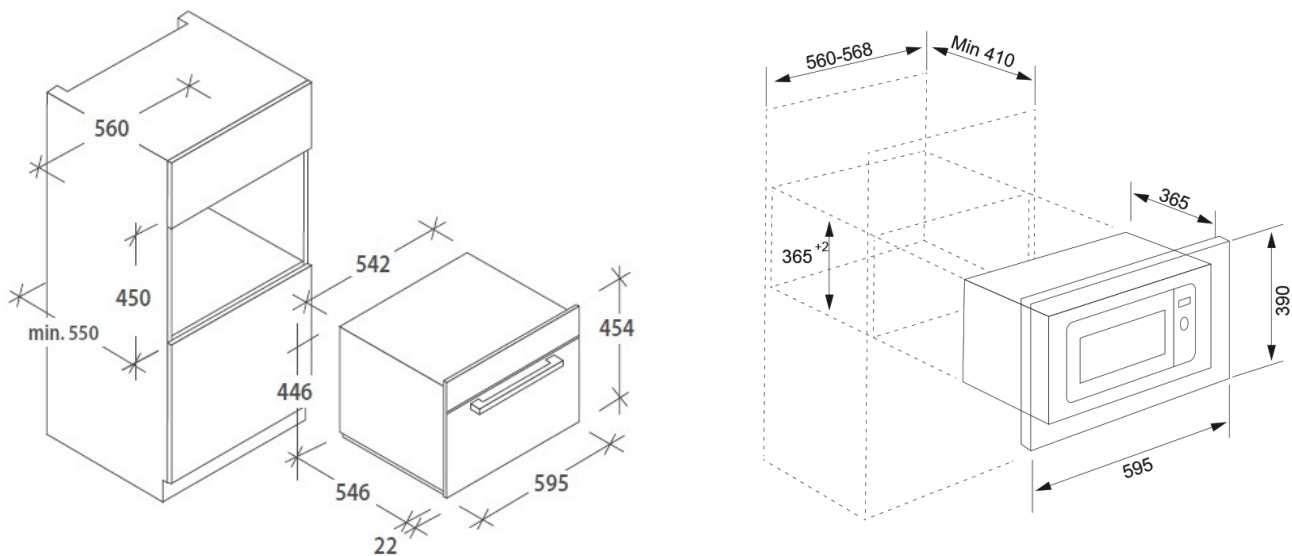
DIMENSION: W\*D\*H - 595\*343.5\*388



# OVEN DIMENSIONS



# MICROWAVE DIMENSIONS



*Baeckerhaft*

# HOB



**BUILT-IN HOBS CATALOGUE**

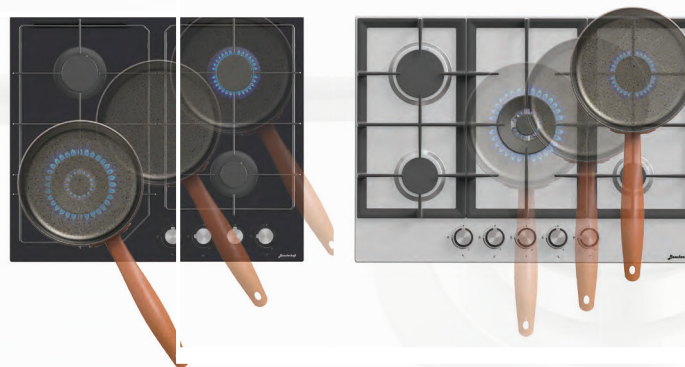
## KEY FEATURES GAS HOBS

### ENLARGED COOKING AREA



The gas collection provides a very comfortable cooking even for the largest pans, thanks to the extended distance between the burners by their specific designs.

### CONTINUOUS PAN SUPPORTS



Enable ergonomic and firm cooking area for both glass and metal cooktops. Flat design allows easy sliding of big pots smoothly. Available as cast iron and plain steel.

## BASIC GAS HOBS

Basic models have been formed to fulfill the market needs and expectations. With a wide variety of pan support designs, we differentiated our models to draw every customers' attention all around the world.



## CURVED GAS HOBS

These hobs bring a unique appearance with their curved pan supports. This smart feature not only helps to improve the flame quality but also provides a larger pan area for the high-power burners.



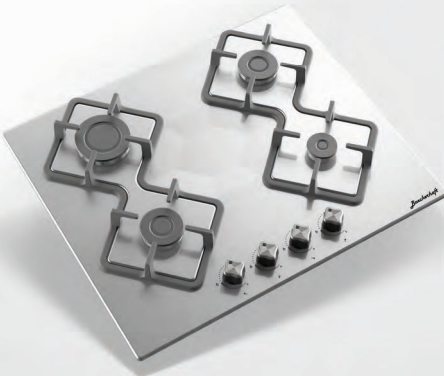
## MODULAR GAS HOBS

Modular gas hobs are created for elegant needs and designed to organise the ideal cooking area which guarantees an excellent performance.



## KARAD GAS HOBS

Karad, a unique product line of Bæckerhaft, precisely converts a gas hob into a good-looking luxury product. The form of the pan supports refers to a diamond shape which fits with the name of the line.



## ELITE GAS HOBS

Elite design is the result of a perfect combination of functional and minimalist approaches. With the simplicity of its style, this line can be adapted to any kitchen.



## STREAM GAS HOBS

Stream is designed for users who want to add a dynamism to their kitchen. Aesthetic pan supports and stylish knobs create the harmony perfectly.



## KEY FEATURES GAS HOBS

### SEAMLESS ADAPTATION



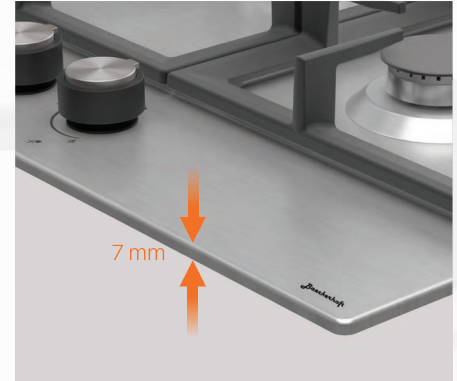
Our new collection has been designed precisely to ensure a seamless view for cooktops and easy cleaning facilities. Simply lift the pan supports then wipe off the single refined metal cooktop as practical as the glass one.

### EASY TO CLEAN



Stainless steel hobs with special brushing enable less scratches and less fingerprints. Ultra-smooth enameled metal surface results in easy and comfortable cleaning. As to the tempered glass cooktop, a shiny appearance is always guaranteed attractively.

### FINER COOKTOP



Our gas hobs with their slimmer metal cooktop design add a visual value to your kitchen. And the tempered glass plate design makes you feel the strength and durability.

## KEY FEATURES GAS HOBS

### HIGH POWER WOK



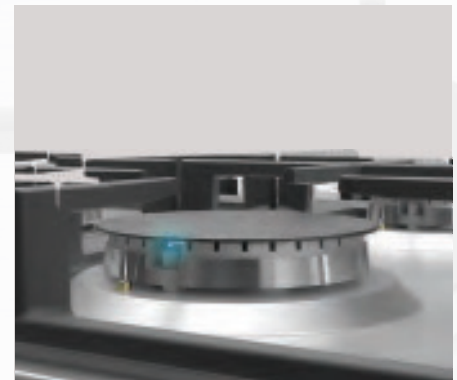
Dual-ring wok burners deliver a perfect boost in power and you can achieve the high temperatures quickly.

### WOK ADAPTER



To maximize the functionality of our gas hobs, we offer a useful wok adapter as an accessory which provides extra stability for all kinds of round-based woks or pans.

### AUTOMATIC IGNITION



Lighting the gas burner is quite easy. Gently press the knob down and rotate it to the level that you desire.





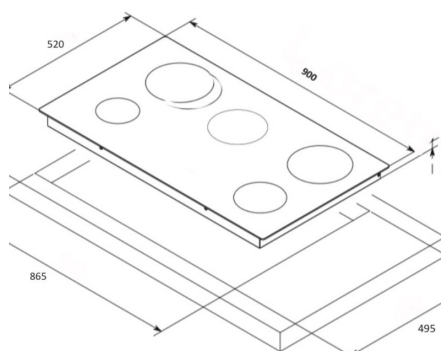
## BUILT-IN HOBS



REF : BH039025001

### VITROCERAMIC HOB

- 90CM CERAMIC HOB, SCHOTT GLASS, SENSOR
- TOUCH CONTROL, AUTOMATIC SAFETY SWITCH OFF, CHILD LOCK, 9-STAGE POWER LEVEL, TIMER, RESIDUAL HEAT INDICATOR, LEFT FRONT: 200MM/1800W, LEFT REAR : 165MM/1200W
- OVAL: 165\*270MM/1100/2000W, DUAL: 140/230MM/1000/2200W, RIGHT FRONT : 165MM/1200W



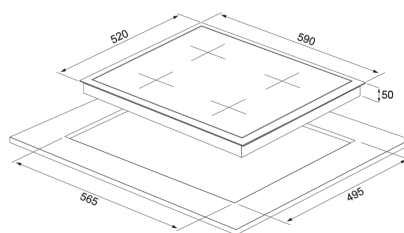
DIMENSION: W\*D\*H - 900\*520\*60



REF : BH039025001

### VITROCERAMIC HOB

- MODEL: BBVH64T
- 60CM BUILT IN VITRO CERAMIC ELECTRICAL HOB, 3 COOKING ZONES + 1 DUAL ZONE WITH FULL SAFETY AND CHILD LOCK
- 60CM BUILT-IN VITRO CERAMIC
- 4 HIGHLIGHT COOKING ZONES
- RIGHT BACK ZONE AS DUAL 1.7KW
- LEFT FRONT 1.8KW
- 2 ZONES AS 1.2KW POWER
- 09 POWER LEVELS
- EASY TO USE AND CLEAN
- EASY DIAL TOUCH CONTROL AND CHILD LOCK
- FRONTAL AND RARE STAINLESS-STEEL STRIPS



DIMENSION: W\*D\*H - 590\*520\*55

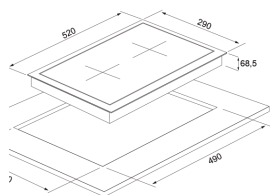
## BUILT-IN HOBS



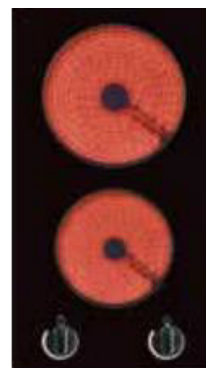
REF : BH033022003

### VITROCERAMIC HOB

- MODEL: BBVH32T
- 2 ZONES 30 CM BUILT IN VITRO CERAMIC ELECTRICAL HOB WITH
- FULL SAFETY AND CHILD LOCK
- 30CM BUILT-IN VITROCERAMIC
- 2 HIGHLIGHT COOKING ZONES
- FRONTAL ZONE AS 1.2 KW
- REAR ZONE AS 1.8 KW POWER
- 09 POWER LEVELS
- CHILD LOCK
- ZONE SELECTIVE TIMER
- EASY DIAL TOUCH CONTROL
- EASY TO CLEAN SMOOTH SURFACE



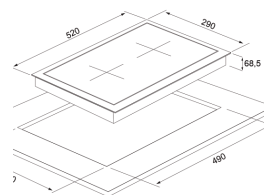
DIMENSION: W\*D\*H - 52\*29\*5



REF : BH033022004

### VITROCERAMIC HOB

- BUILT IN CERAMIC HOBS
- - MECHANICAL KNOB CONTROL
- - 2 HEATING ZONES
- REAR: 200MM 1.8 KW
- FRONT: 165MM 1.2 KW
- - 9 POWER LEVELS
- - AUTOMATIC SAFETY CUTOUT



DIMENSION: W\*D\*H - 52\*29\*5

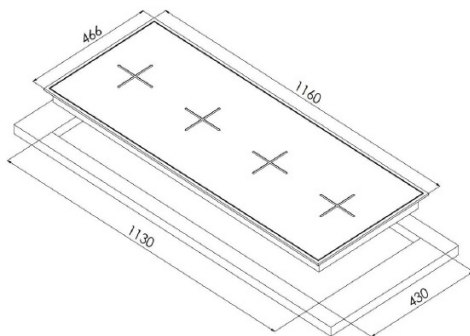
## BUILT-IN GAS HOBS



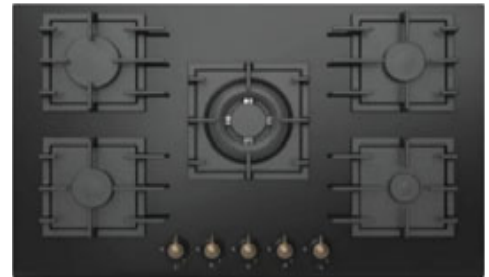
REF : BH031234005

### GAS HOB

- MODEL: BHESHG1204H
- BUILT IN HOB GAS ON GLASS SIZE 120CM IN ITALIAN SCHOTT
- GLASS, SABAD ITALIAN BURNER
- BLACK TEMPERED GLASS
- 4 GAS BURNERS
- 1 WOK, 1 RAPID, 1 SEMI RAPIDS, 1 AUXILIARY BURNER
- AUTO IGNITION
- SAFETY DEVICES
- EASY TO REACH FRONT CONTROLS
- CAST IRON PAN SUPPORTS
- ACCESSORY: CAST IRON WOK STAND



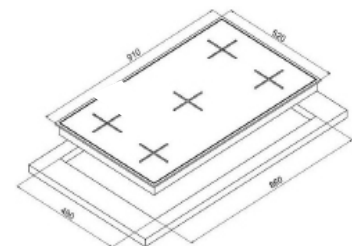
DIMENSION: W\*D\*H - 49\*120\*5 CM



REF : BH039035006

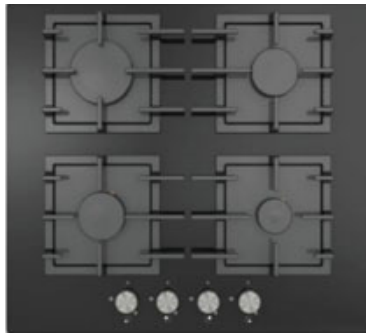
### GAS HOB

- 90CM BUILT IN HOB IN SCHOTT ITALIAN BLACK GLASS WITH SABAF
- 05 BURNER WITH WOK, ELEGANT DESIGN AND FULL SAFETY
- BLACK TEMPERED GLASS
- 5 GAS BURNERS
- 1WOK, 1 RAPID, 2 SEMI RAPIDS, 1 AUXILIARY BURNER
- AUTO IGNITION
- SAFETY DEVICES
- EASY TO REACH FRONT CONTROLS
- CAST IRON PAN SUPPORTS
- ACCESSORY: CAST IRON WOK STAND



DIMENSION: W\*D\*H 90\*52\*5 CM

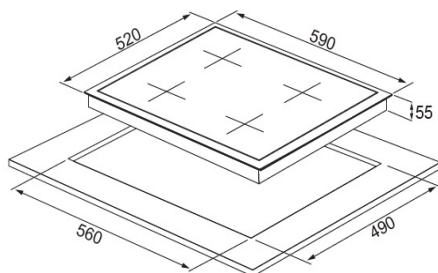
## BUILT-IN GAS HOBS



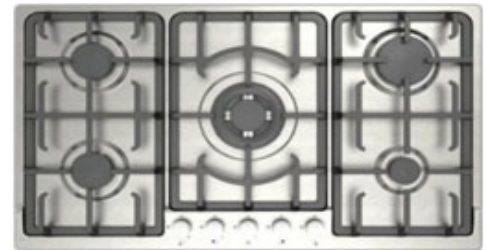
REF : BH036034007

### GAS HOB

- STAINLESS STEEL DESIGN
- 4 GAS BURNERS
- 1 RAPID, 2 SEMI RAPIDS, 1 AUXILIARY BURNER
- AUTO IGNITION
- SAFETY DEVICES
- EASY TO REACH FRONT CONTROLS
- CAST IRON PAN SUPPORTS
- ACCESSORY: CAST IRON WOK STAND



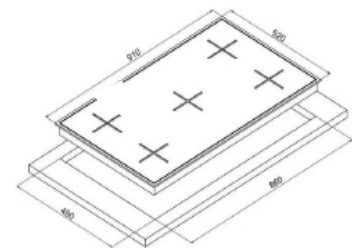
DIMENSION: W\*D - 580\*500 MM



REF : BH039035008

### GAS HOB

- 90CM GAS HOB STAINLESS STEEL, FRONT CONTROL, NATURAL GAS AND LPG COMPATIBLE,
- AUTOMATIC ELECTRIC IGNITION SYSTEM, CAST IRON PAN SUPPORT, FLAME FAILURE PROTECTION DEVICE, TRIPLE
- CROWN BURNER: 3.3KW, RAPID BURNER: 3.0KW, SEMI
- RAPID BURNER: 1.75KW \* 2, AUXILIARY BURNER: 1.0KW



DIMENSION: W\*D\*H - 860\*510\*90

## BUILT-IN GAS HOBS



REF : BH039036009

### GAS HOB

- MODEL: BBGH96CFBFSS
- BUILT IN 90 CM GAS HOB 4 BURNERS & 2 WOKS BURNERS WITH
- POWERFUL GERMAN TECHNOLOGY, HEAVY CAST IRON SUPPORT &
- SABAF ITALIAN
- STAINLESS STEEL
- 90 CM BUILT IN HOB
- 6 GAS BURNERS
- 2 WOKS
- SABAF ITALY BURNER
- GERMAN TECHNOLOGY
- AUTO IGNITION
- CAST IRON PAN SUPPORT
- SAFETY DEVICES

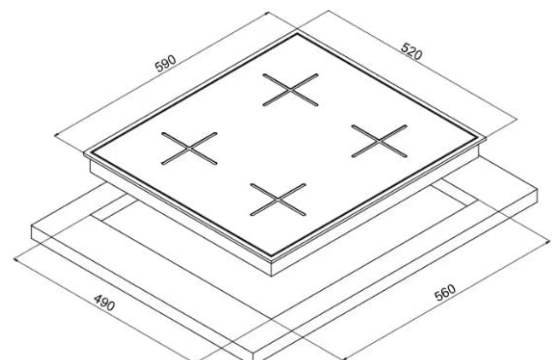
DIMENSION: W\*D - 55\*90\*5 CM



REF : BH036034010

### GAS HOB

- 60CM GAS HOB STAINLESS STEEL, FRONT CONTROL, NATURAL GAS AND LPG COMPATIBLE,
- AUTOMATIC ELECTRIC IGNITION SYSTEM, CAST IRON PAN
- SUPPORT, FLAME FAILURE PROTECTION DEVICE, TRIPLE
- CROWN BURNER: 3.3KW, SEMI RAPID BURNER: 1.75KW
- 2, AUXILIARY BURNER: 1.0KW, DIMENSIONS



DIMENSION: W\*D\*H - 590\*520

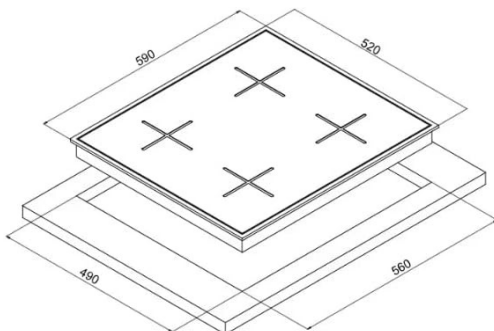
## BUILT-IN GAS HOBS



REF : BH036034011

### GAS HOB

- STAINLESS STEEL DESIGN
- 4 GAS BURNERS
- 1 WOK, 1 RAPID, 1 SEMI RAPIDS, 1 AUXILIARY BURNER
- AUTO IGNITION
- SAFETY DEVICES
- EASY TO REACH FRONT CONTROLS
- CAST IRON PAN SUPPORTS
- ACCESSORY: CAST IRON WOK STAND



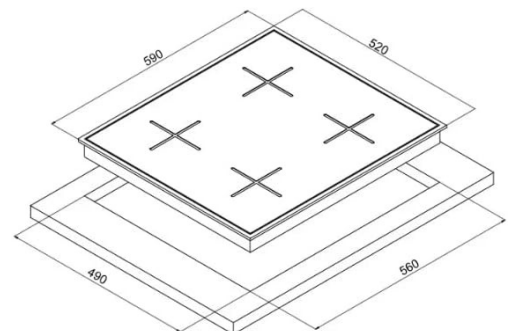
DIMENSION: W\*D - 590\*520 MM



REF : BH036034012

### GAS HOB

- STAINLESS STEEL DESIGN
- 4 GAS BURNERS
- 1 RAPID, 2 SEMI RAPIDS, 1 AUXILIARY BURNER
- AUTO IGNITION
- SAFETY DEVICES
- EASY TO REACH FRONT CONTROLS
- ENAMEL PAN SUPPORTS
- ACCESSORY: CAST IRON WOK STAND



DIMENSION: W\*D - 590\*520 MM

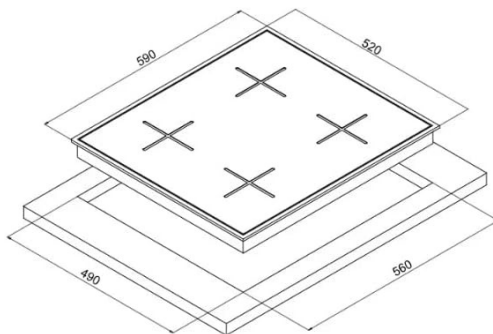
## BUILT-IN GAS HOBS



REF : BH036034013

### GAS HOB

- STAINLESS STEEL DESIGN
- 4 GAS BURNERS
- 1 RAPID, 2 SEMI RAPIDS, 1 AUXILIARY BURNER
- AUTO IGNITION
- SAFETY DEVICES
- EASY TO REACH FRONT CONTROLS
- ENAMEL PAN SUPPORTS
- ACCESSORY: CAST IRON WOK STAND



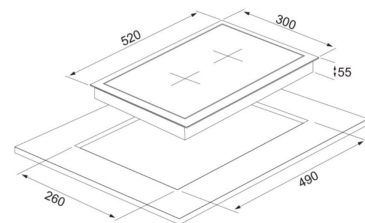
DIMENSION: W\*D - 590\*520 MM



REF : BH036034014

### GAS HOB

- STAINLESS STEEL DESIGN
- 2 GAS BURNERS
- 1 RAPID, 1 AUXILIARY BURNER
- AUTO IGNITION
- SAFETY DEVICES
- EASY TO REACH FRONT CONTROLS
- CAST IRON PAN SUPPORTS



DIMENSION: W\*D - 520\*300 MM

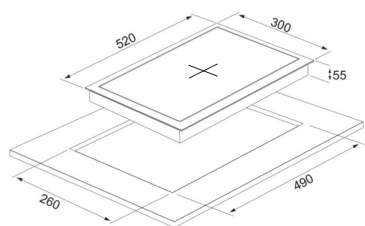
## BUILT-IN GAS HOBS



REF : BH036034015

### GAS HOB

- MODEL: BBGH31BLSS
- BUILT IN 30CM HOB- ONE WOK STAINLESS STEEL WITH SABAF ITALY
- CENTRAL DUAL WOK BURNER
- SABAF BURNER
- AUTO IGNITION
- SAFETY DEVICE
- EASY TO REACH FRONT CONTROL
- SAFETY DEVICE
- EASY TO REACH FRONT CONTROL
- CAST IRON PAN SUPPORT



DIMENSION: W\*D\*H - 520\*300\*55 MM





## FEATURES DESCRIPTION



**Oven Lamp** - used to lighting the oven cavity in order to see the meal condition and make sure it is cooked at best condition.



**Turnspit (Chicken Rotisserie)** - to grill and cook chicken inside oven, this function allow you also to grill leg of lamb, duck and other similar meals equally through rotating bar.



**Mechanical Timer** - to fix desired timing for cooking, it rings on adjusted time period to warn you that the meal cooked and avoid you forget the desired time and burn the meal or over cooked.



**Digital Timer** - to fix desired timing for cooking and it shut off the electrical oven on programed time, it warn end user by ringing to let end user check the meal condition and get best result, even though end user may program the oven to start at specific time and shut off at desired time, so no need to waste time, simply program the oven for needed time duration and activate it, the oven will start cooking the meal at programmed time and shut off at adjusted time.



**Analog Timer** - to fix desired timing for cooking, it rings on adjusted time period to warn you that the meal cooked and avoid you forget the desired time and burn the meal or over cooked. The style of analog time is rustic for those who miss old days.



**Push Button Ignition** - to ignite the gas burners, no need to use lighter or matched simply push the ignition button and ignite desired burner to start cooking.



**One Hand Integrated Automatic Ignition** - to ignite the gas burners automatically, the sparking fixed on the knob itself and make cooking much easier.

## FREESTANDING COOKER



REF : BHF39035015

### Free Standing 90cm Cooking Range With 1 WOK

- Top Plate
- Top Plate Configuration 5 Gas (Std) 1 small burner, 1 medium burner, 3 wok burners Gas
- Control / FFD Gas Control Valve with FFD
- Burner Type SABAF Pan Support Type Cast
- Iron pan supports Lid Splash Back Wok Adapter Optional Top Plate Surface Stainless Steel /
- White / Cream
- Light + Ignition
- Light x1 Ignition Automatic ignition
- Timer
- Timer Mechanical minute minder (90 or 120 min)
- Functions
- Twin Fan Thermostat Side Wire Racks Wire Racks Door Removable Triple Glass Oven
- Door Removable Inner Glass Low-e Inner Glass
- Optional Tray x2 Wire Grid x2 Handle For Tray
- Optional Rotisserie Optional Oven Cleaning
- Black enamel
- Cosmetics
- Knob Metallic chrome coated Handle Aluminum Handle Door Decoration Optional Door
- Opening Drop down
- Cavity Specifications
- Cavity Capacity 105 Energy Efficiency Class B
- Cooling Fan
- Other Specification
- Gas Type NG Spare Kit LPG Bottom Flap Bottom Compartment Feet 4 adjustable feet grey
- Panel Protection Sheet Optional Chain Support
- Optional Plug Type Connection Box
- Packing
- Net Dimensions (WxDxH) 900 x 600 x 900



REF : BHF39035016

### Free Standing Cooker With 3 WOKS

- Top Plate
- Top Plate Configuration 5 Gas (Std) 1 small burner, 1 medium burner, 3 wok burners Gas
- Control / FFD Gas Control Valve with FFD
- Burner Type SABAF Pan Support Type Cast
- Iron pan supports Lid Splash Back Wok Adapter Optional Top Plate Surface Stainless Steel /
- White / Cream
- Light + Ignition
- Light x1 Ignition Automatic ignition
- Timer
- Timer Mechanical minute minder (90 or 120 min)
- Functions
- Twin Fan Thermostat Side Wire Racks Wire Racks Door Removable Triple Glass Oven
- Door Removable Inner Glass Low-e Inner Glass
- Optional Tray x2 Wire Grid x2 Handle For Tray
- Optional Rotisserie Optional Oven Cleaning
- Black enamel Cosmetics Knob Metallic chrome coated Handle Aluminum Handle Door Decoration Optional Door Opening Drop down
- Cavity Specifications
- Cavity Capacity 105 Energy Efficiency Class B
- Cooling Fan
- Other Specification
- Gas Type NG Spare Kit LPG Bottom Flap Bottom Compartment Feet 4 adjustable feet grey
- Panel Protection Sheet Optional Chain Support
- Optional Plug Type Connection Box
- Packing
- Net Dimensions (WxDxH) 900 x 600 x 900

## FREESTANDING COOKER



REF : BHF36034018

### 60cm Free Standing Cooker With WOK

- Top Plate
- Top Plate Configuration 4 Gas (Std) 1 small burner, 2 medium burner, 1 wok burner Gas
- Control / FFD Gas Control Valve with FFD
- Burner Type SABAF Pan Support Type Cast
- Iron pan supports Lid Splash Back Wok Adapter Optional Top Plate Surface Stainless Steel /
- White / Cream
- Light + Ignition
- Light x1 Ignition Automatic ignition
- Timer
- Digital Timer
- Functions
- Side Wire Racks Wire Racks Door Removable
- Triple Glass Oven Door Removable Inner Glass
- Low-e Inner Glass Optional Tray x2 Wire Grid
- x2 Handle For Tray Optional Rotisserie Optional Oven Cleaning Black enamel
- Cosmetics
- Knob Metallic chrome coated Handle Aluminum Handle Door Decoration Optional Door
- Opening Drop down
- Cavity Specifications
- Cavity Capacity 105 Energy Efficiency Class B
- Cooling Fan
- Other Specification
- Gas Type NG Spare Kit LPG Bottom Flap Bottom Compartment Feet 4 adjustable feet grey
- Panel Protection Sheet Optional Chain Support
- Optional Plug Type Connection Box
- Packing
- Net Dimensions 60x60



REF : BHF36034017

### Built-In 60cm Free-Standing Cooker

- Top Plate
- Top Plate Configuration 4 Gas (Std) 1 small burner, 2 medium burner, 1 wok burner Gas
- Control / FFD Gas Control Valve with FFD
- Burner Type SABAF Pan Support Type Cast
- Iron pan supports Lid Splash Back Wok Adapter Optional Top Plate Surface Stainless Steel
- Light + Ignition
- Light x1 Ignition Automatic ignition
- Timer
- Digital Timer
- Functions
- Side Wire Racks Wire Racks Door Removable
- Triple Glass Oven Door Removable Inner Glass
- Low-e Inner Glass Optional Tray x2 Wire Grid
- x2 Handle For Tray Optional Rotisserie Optional Oven Cleaning Black enamel
- Cosmetics
- Knob Metallic chrome coated Handle Aluminum Handle Door Decoration Optional Door
- Opening Drop down
- Cavity Specifications
- Cavity Capacity 105 Energy Efficiency Class B
- Cooling Fan
- Other Specification
- Gas Type NG Spare Kit LPG Bottom Flap Bottom Compartment Feet 4 adjustable feet grey
- Panel Protection Sheet Optional Chain Support
- Optional Plug Type Connection Box
- Packing
- Net Dimensions (WxD) 60 x 60



# REFRIGERATOR

High performance is achieved through smart technologies and strong design. As we spend a great deal of our time there, who doesn't want a clean and aesthetic kitchen?

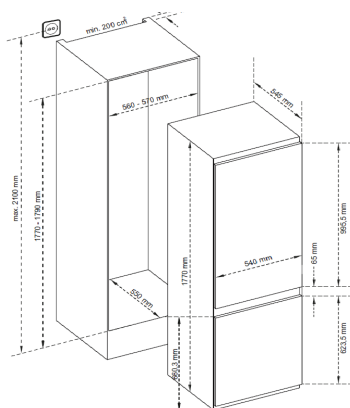
## REFRIGRATOR



REF : BH041812001

### REFRIGRATOR

- BUILT-IN DOUBLE DOOR COMBI FRIDGE
- FREEZER LOCATION BOTTOM FREEZER
- REFRIGERATION SYSTEM FROST FREE
- CONTROL SYSTEM MECHANICAL
- CLIMATIC CLASS T/N
- ENERGY CLASS A+
- TURBO YES
- PERFORMANCE(STAR RATING) 4
- HOUSEHOLD REFRIGERATING APP CATEGORIES 7
- VOLUME TOTAL(GROSS)(L) 256
- VOLUME TOTAL(NET)(L) 243



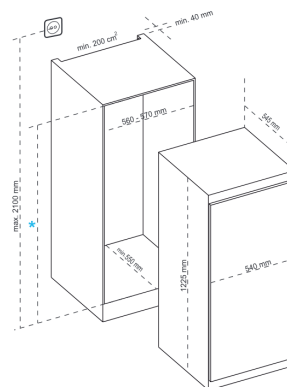
DIMENSION: W\*D\*H - 540\*545\*1770



REF : BH041212002

### REFRIGRATOR

- BUILT-IN SINGLE DOOR
- GROSS VOLUME: 195 LITRES
- REFRIGERATOR NET VOLUME: 178 LITRES
- FREEZER VOLUME: 17 LITRES
- MECHANICAL CONTROL
- AUTO DEFROST ON FRIDGE
- MANUAL DEFROST ON FREEZER
- 3 GLASS SHELF
- 4 DOOR SHELVES
- 1 CRISPER, 2 EGG TRAYS
- REVERSIBLE DOOR
- ENERGY CLASS: A+
- NOISE: 43 DB(A)
- GAS TYPE: R600A
- CLIMATE CLASS: T



DIMENSION: W\*D\*H - 540\*545\*1225

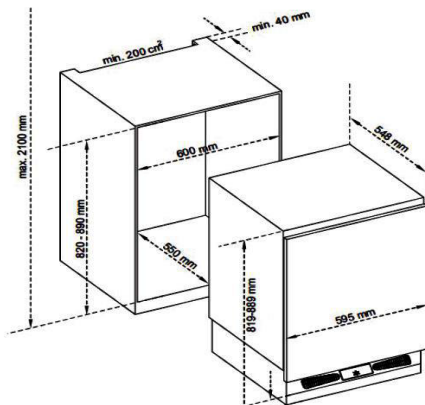
## REFRIGRATOR



REF : BH040811003

### REFRIGRATOR

- BUILT-UNDER CABINET FRIDGE
- GROSS VOLUME: 120 LITRES
- REFRIGERATOR NET VOLUME: 102 LITRES
- FREEZER VOLUME: 18 LITRES
- AUTO DEFROST ON FRIDGE
- MANUAL DEFROST ON FREEZER
- 1 GLASS SHELF
- 2 DOOR SHELVES
- 1 CRISPER
- FRONT SELF-VENTILATED
- REVERSIBLE DOOR
- ENERGY CLASS: A+
- NOISE: 43 DB(A)
- GAS TYPE: R600A
- CLIMATE CLASS: T



DIMENSION: W\*D\*H - 595\*548\*818





# DISHWASHER

High performance is achieved through smart technologies and strong design. As we spend a great deal of our time there, who doesn't want a clean and aesthetic kitchen?

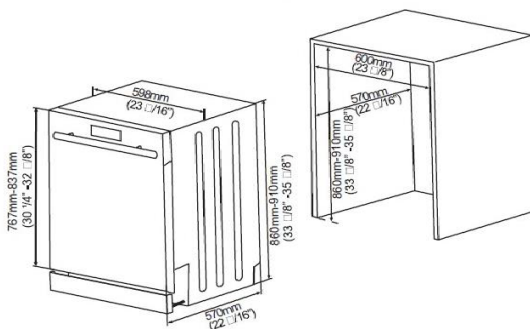
# DISHWASHER



REF : BH056010001

## DISHWASHER

- CONTROL: BUTTON CONTROL
- DISPLAY: LED DISPLAY
- NUMBER OF DISH SETS: 12
- OPERATING MODES: 7 (ECO, AUTO, HYGIENE, GLASS, 90 MIN, RAPID, SOAK)
- LEAK PROTECTION: AQUASTOP
- DELAYED START: 24H
- SALT/RINSE AID INDICATOR: YES
- POWER OUTAGE MEMORY: NO
- EXTRA DRYING: NO
- WASHING/DRYING/ENERGY CONSUMPTION CLASSES: A+++/D/A
- WATER CONSUMED PER CYCLE: 10 L
- MAXIMUM WATER TEMPERATURE: 72
- NOISE LEVEL: 44 DB



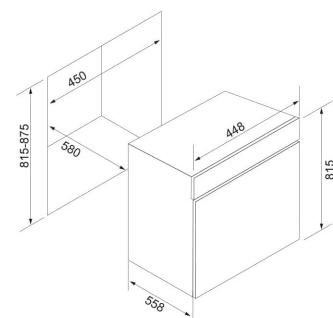
DIMENSION: W\*D\*H - 820\*870\*570



REF : BH054510002

## DISHWASHER

- MODEL: BHVi45
- BUILT IN DISHWASHER 45cm
- CONTROL: BUTTON CONTROL
- NUMBER OF DISH SETS: 6
- DISPLAY: LED DISPLAY
- SIDE INDICATOR LIGHT
- OPERATING MODES: 7 (ECO, AUTO, HYGIENE, GLASS, 90 MIN, RAPID, SOAK)
- LEAK PROTECTION: AQUASTOP
- DELAYED START: 24H
- SALT/RINSE AID INDICATOR: YES
- POWER OUTAGE MEMORY: NO
- EXTRA DRYING: NO
- WASHING/DRYING/ENERGY CONSUMPTION CLASSES: A+++/D/A
- WATER CONSUMED PER CYCLE: 8.5 L
- MAXIMUM WATER TEMPERATURE: 72
- NOISE LEVEL: 44 DB



DIMENSION: W\*D\*H - 450\*560\*820



**Baeckerhäft**

# WASHING MACHINE

---

High performance is achieved through smart technologies and strong design. As we spend a great deal of our time there, who doesn't want a clean and aesthetic kitchen?



INVERSOR | 9.0 kg

- Simetico
- Lana/Lã
- Seda
- Mix
- Rapid
- Noche/Noite
- Aftado+Centr.
- Diario/Diario
- Algodón/Algodão
- Frio
- 33° Anti-Bac
- Jeans
- Intensio
- Tambor

1400  
1000  
800  
600

8:88 Out

Diferido | Función/Funcio | RPM | Temp. | Start/Pause

33° Anti-Bac

## WASHER DRYER



REF : BHD07108001

### WASHER DRYER

- 8KG WASHING + 5KG DRYING, 1400 RPM
- 15 PROGRAMS
- DIGIT DISPLAY
- HIGHEST AND LARGE DOOR
- DELAY START UPTO 24H
- 4 RAPID PROGRAMS (14-30-44-59 MIN)
- DRYING OPTIONS BUTTON - EXTRA DRY, IRON DRY, CUPBOARD
- DRY
- KG DETECTOR
- TEMPERATURE SELECT BUTTON
- STAIN LEVEL BUTTON, SPIN SELECT BUTTON
- ENERGY CLASS A A A
- INPUT POWER 1.6 KW
- WHITE DOOR

DIMENSION: W\*D\*H - 595\*548\*818





**Baeckerhäft**



# HOOD



REF : BH066032001

## FRONT RECIRCULATION CLASSIC UNDER CABINET COOKER HOOD

- MODEL: 1101
- 60CM FRONT RECIRCULATION CLASSIC UNDER CABINET COOKER
- HOOD IN STAINLESS STEEL IN 02 MOTORS WITH CHARCOAL FILTERS
- SIZE: 600MM
- MATERIAL: 0.4MM 430 STAINLESS STEEL BODY
- FILTER: 2 PCS ALUMINUM FILTER
- LIGHT: LED LAMP(2\*1.5W)
- SWITCH: 3 SPEED PUSH BOTTON WITH CARBON FILTER
- WITH FRONT RECIRCULATION SYSTEM
- MOTOR: CAPACITOR COPPER MOTORS 2\*65W
- QUALITY ASSURANCE
- AIR FLOW: 400~450M3/HR
- AIR OUTLET: 120
- WITHOUT EXHAUST PIPE

DIMENSION: W\*D - 595\*480



REF : BH066032002

## FRONT RECIRCULATION CLASSIC UNDER CABINET COOKER HOOD

- MODEL: 1201
- 90CM FRONT RECIRCULATION CLASSIC UNDER CABINET COOKER
- HOOD IN STAINLESS STEEL IN 02 MOTORS WITH CHARCOAL FILTERS
- SIZE: 900MM
- MATERIAL: 0.4MM 430 STAINLESS STEEL BODY
- FILTER: 3 PCS ALUMINUM FILTER
- LIGHT: LED LAMP(2\*1.5W)
- SWITCH: 3 SPEED PUSH BOTTON WITH CARBON FILTER
- WITH FRONT RECIRCULATION SYSTEM
- MOTOR: CAPACITOR COPPER MOTORS 2\*65W
- QUALITY ASSURANCE
- AIR FLOW: 400~450M3/HR
- AIR OUTLET: 120
- WITHOUT EXHAUST PIPE 595\*480, 6kg

DIMENSION: W\*D - 595\*480

# HOOD



REF : BH066032003

## FRONT RECIRCULATION CLASSIC UNDER CABINET COOKER HOOD

- 600MM HOOD
- GALVANIZED SHEET BODY+GLASS FRONT
- 220-240V/50HZ
- 2 PCS\*3 LAYERS ALUMINIUM FILTER
- 1 PCS LONG LED LAMP (1\*2W)
- 3 SPEED TOUCH CONTROL
- TWO MOTOR (COPPER MOTOR-WARRANTY: 6 YEARS)
- WITH CARBON FILTER
- WITH FRONT RECIRCULATION SYSTEM
- MOTOR POWER: 1\*1 10W
- AIRFLOW: 300~350M3/HR
- WITHOUT EXHAUST PIPE

DIMENSION: W\*D - 595\*480



REF : BH069021008

## FRONT RECIRCULATION CLASSIC UNDER CABINET COOKER HOOD

- CHIMNEY HOOD 90CM, TOUCH CONTROLS, 3 SPEED LEVELS +
- BOOSTER, MAX SUCTION POWER 850 M /H,
- 2X1.5W LED LAMPS,
- MOTOR POWER 210W, 1
- ALUMINUM GREASE FILTER, 2 CARBON FILTERS, TIMER, TOTAL
- POWER 213W TEMPERED
- GLASS / BLACK CASING

DIMENSION: W\*D - 595\*480

# HOOD



REF : BH066021005

## FRONT RECIRCULATION CLASSIC UNDER CABINET COOKER HOOD

- CHIMNEY HOOD 60CM, TOUCH CONTROLS, 3 SPEED LEVELS +
- BOOSTER, MAX SUCTION POWER 750 M/H, 2X1.5W LED LAMPS,
- MOTOR POWER 210W, 1
- ALUMINUM GREASE FILTER, 2 CARBON FILTERS, TIMER, TOTAL
- POWER 213W TEMPERED
- GLASS / BLACK CASING

DIMENSION: W\*D - 595\*480



REF : BH066031006

## FRONT RECIRCULATION CLASSIC UNDER CABINET COOKER HOOD

- FREE EXIT, M3/H: 450-750
- RECIRCULATION, M/H: 320-530
- NUMBER OF SPEEDS: 3
- NOISE LEVEL, DB: 45-64
- FINISHING: GLASS
- BACKLIGHT, W: LED 2\*2
- DUCT DIAMETER, MM: 150
- FILTER: ALUMINUM (INCLUDED)

DIMENSION: W\*D - 595\*480

# HOOD



REF : BH069021007

## FRONT RECIRCULATION CLASSIC UNDER CABINET COOKER HOOD

- 90CM CHIMNEY HOOD, STAINLESS STEEL,
- PUSH BUTTON, 3 SPEEDS, NOISE LEVEL 63DB, 2\*1.5W
- LED LIGHTS, MOTOR POWER 210W, 850M3/H AIR FLOW,
- CHARCOAL FILTER, 220V-240V/50-60HZ, 2\*5 LAYERS
- ALUMINUM FILTER

DIMENSION: W\*D - 595\*480



REF : BH066022009

## FRONT RECIRCULATION CLASSIC UNDER CABINET COOKER HOOD

- SIZE: 60CM
- FINISH: STAINLESS STEEL
- CONTROLS: Push Button
- LIGHTING: LED
- AIRFLOW: 480 (m3/h), 02 motors
- NOISE LEVEL: 56 DB(A)
- 3 SPEED LEVELS
- CARBON FILTER

DIMENSION: W\*D - 595\*480

# HOOD



REF : BH069032010

## FRONT RECIRCULATION CLASSIC UNDER CABINET COOKER HOOD

- SIZE: 60CM
- FINISH: STAINLESS STEEL
- CONTROLS: Push Button
- LIGHTING: LED
- AIRFLOW: 480 (m3/h), 02 motors
- NOISE LEVEL: 56 DB(A)
- 3 SPEED LEVELS
- CARBON FILTER

DIMENSION: W\*D - 595\*480



REF : BH066022011

## FRONT RECIRCULATION CLASSIC UNDER CABINET COOKER HOOD

- SIZE: 60CM
- FINISH: STAINLESS STEEL
- CONTROLS: PUSH BUTTON
- LIGHTING: LED
- AIRFLOW: 850 (m3/h)
- NOISE LEVEL: 63 DB(A)
- 3 SPEED LEVELS

DIMENSION: W\*D - 595\*480

# HOOD



REF : BH069022012

## FRONT RECIRCULATION CLASSIC UNDER CABINET COOKER HOOD

- SIZE: 90CM
- FINISH: STAINLESS STEEL
- CONTROLS: PUSH BUTTON
- LIGHTING: LED
- AIRFLOW: 850 (m3/h)
- NOISE LEVEL: 63 DB(A)
- 3 SPEED LEVELS

DIMENSION: W\*D - 595\*480







# SINK AND TAPS

---

High performance is achieved through smart technologies and strong design. As we spend a great deal of our time there, who doesn't want a clean and aesthetic kitchen?

## UNDERMOUNT SINK



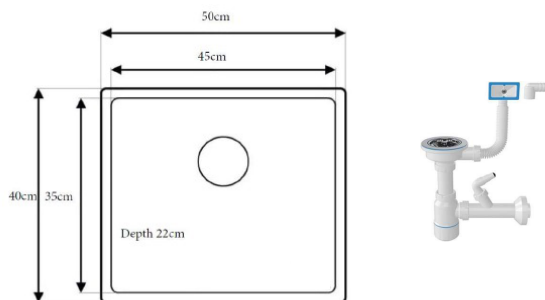
REF : STA9045BKBO



REF : STA4030BKBO

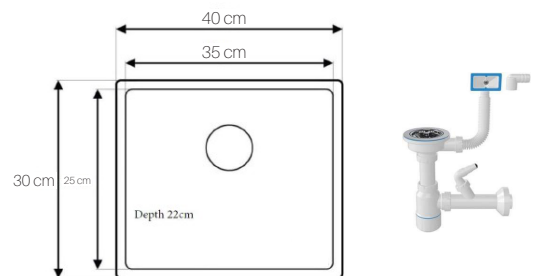
### UNDERMOUNT SINK

- MODEL: STA5040SBO
- UNDERMOUNT SINK
- SINGLE BOWL
- GRADE SS304
- BASKET WASTE & BOTTLE TRAP INCLUDED
- 500x400x220mm



### UNDERMOUNT SINK

- MODEL: STA4030BKBO
- UNDERMOUNT SINK
- SINGLE BOWL
- NANO BLACK COLOR
- GRADE SS304
- BASKET WASTE & BOTTLE TRAP INCLUDED
- 400x300x220mm



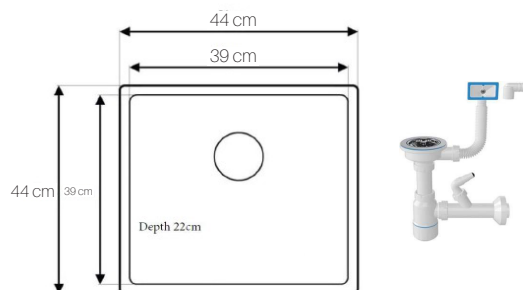
## UNDERMOUNT SINK



REF : STA4444SBO

### UNDERMOUNT SINK

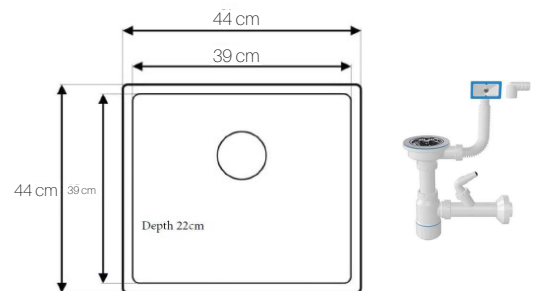
- MODEL: STA4444SBO
- UNDERMOUNT SINK
- SINGLE BOWL
- GRADE SS304
- BASKET WASTE & BOTTLE TRAP INCLUDED
- 440x440x220mm



REF : STA4444BK

### UNDERMOUNT SINK

- MODEL: STA4444BK
- UNDERMOUNT SINK
- SINGLE BOWL
- NANO BLACK COLOR
- GRADE SS304
- BASKET WASTE & BOTTLE TRAP INCLUDED
- 440x440x220mm



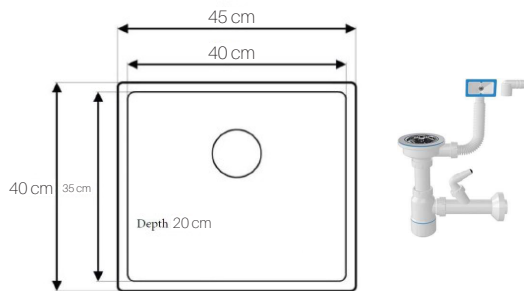
## UNDERMOUNT SINK



REF : STA4544SS

### UNDERMOUNT SINK

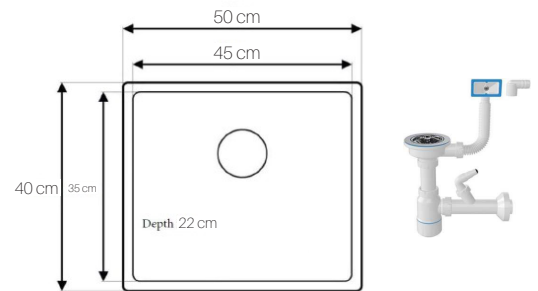
- MODEL: STA4544SS
- UNDERMOUNT SINK
- SINGLE BOWL
- GRADE SS304
- BASKET WASTE & BOTTLE TRAP INCLUDED
- 450x400x200mm



REF : STA5040SBO

### UNDERMOUNT SINK

- MODEL: STA5040SBO
- UNDERMOUNT SINK
- SINGLE BOWL
- GRADE SS304
- BASKET WASTE & BOTTLE TRAP INCLUDED
- 500x400x220mm



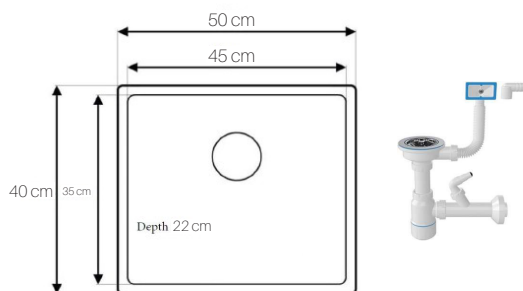
## UNDERMOUNT SINK



REF : STA5040BKBO

### UNDERMOUNT SINK

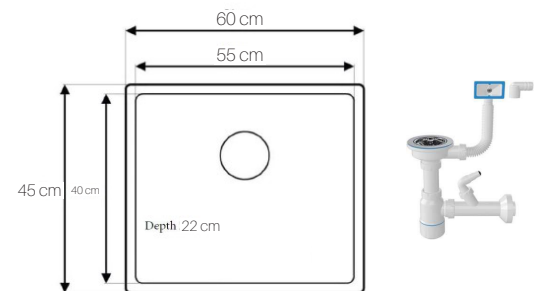
- MODEL: STA5040BKBO
- UNDERMOUNT SINK
- SINGLE BOWL
- NANO BLACK COLOR
- GRADE SS304
- BASKET WASTE & BOTTLE TRAP INCLUDED
- 500x400x220mm



REF : STA6045SBO

### UNDERMOUNT SINK

- MODEL: STA6045SBO
- UNDERMOUNT SINK
- SINGLE BOWL
- GRADE SS304
- BASKET WASTE & BOTTLE TRAP INCLUDED
- 600x450x220mm



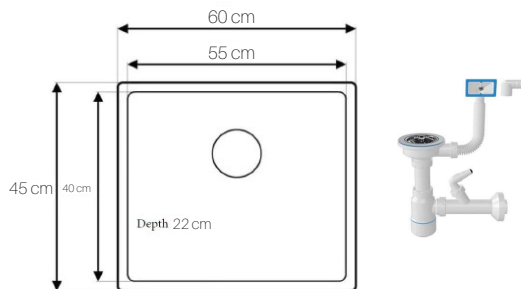
## UNDERMOUNT SINK



REF : STA6045BKBO

### UNDERMOUNT SINK

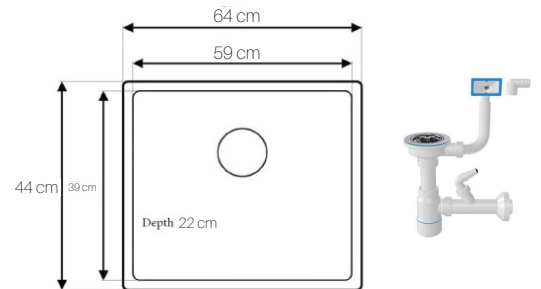
- MODEL: STA6045BKBO
- UNDERMOUNT SINK
- SINGLE BOWL
- NANO BLACK COLOR
- GRADE SS304
- BASKET WASTE & BOTTLE TRAP INCLUDED
- 600x450x220mm



REF : STA6444SS

### UNDERMOUNT SINK

- MODEL: STA6444SS
- UNDERMOUNT SINK
- STAINLESS STEEL FINISH
- SINGLE BOWL
- GRADE SS304
- BASKET WASTE & BOTTLE TRAP INCLUDED
- 640x440x200mm



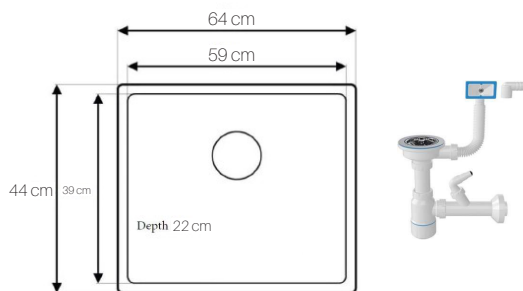
## UNDERMOUNT SINK



REF : STA6444BK

### UNDERMOUNT SINK

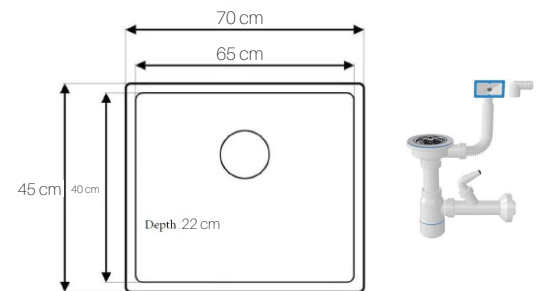
- MODEL: STA6444BK
- UNDERMOUNT SINK
- NANO BLACK COLOR
- SINGLE BOWL
- GRADE SS304
- BASKET WASTE & BOTTLE TRAP INCLUDED
- 640x440x200mm



REF : STA7045SBO

### UNDERMOUNT SINK

- MODEL: STA7045SBO
- UNDERMOUNT SINK
- SINGLE BOWL
- GRADE SS304
- BASKET WASTE & BOTTLE TRAP INCLUDED
- 700x450x220mm



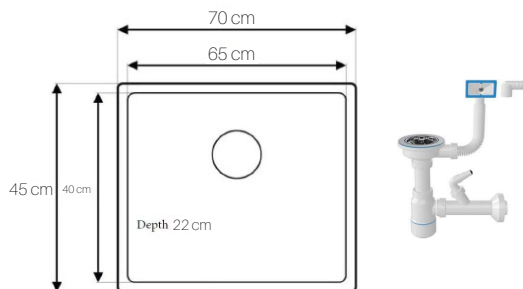
## UNDERMOUNT SINK



REF : STA7045BKBO

### UNDERMOUNT SINK

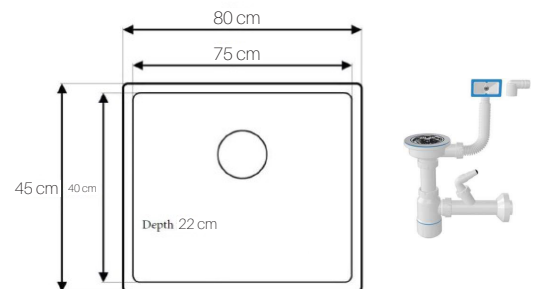
- MODEL: STA7045BKBO
- UNDERMOUNT SINK
- SINGLE BOWL
- NANO BLACK COLOR
- GRADE SS304
- BASKET WASTE & BOTTLE TRAP INCLUDED
- 700x450x220mm



REF : STA8045SBO

### UNDERMOUNT SINK

- MODEL: STA8045SBO
- UNDERMOUNT SINK
- SS COLOR
- SINGLE BOWL
- GRADE SS304
- BASKET WASTE & BOTTLE TRAP INCLUDED
- 800x450x220mm



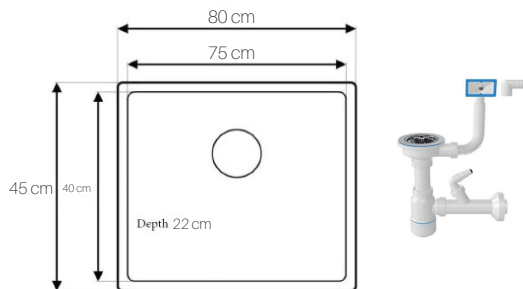
## UNDERMOUNT SINK



REF : STA8045BKBO

### UNDERMOUNT SINK

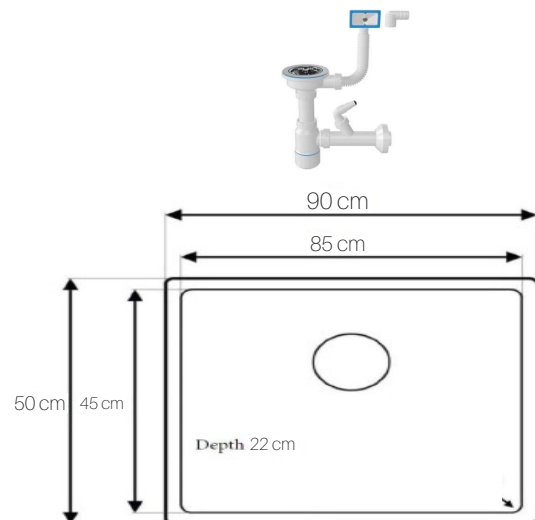
- MODEL: STA8045BKBO
- UNDERMOUNT SINK
- NANO BLACK COLOR
- SINGLE BLACK BOWL
- GRADE SS304
- BASKET WASTE & BOTTLE TRAP INCLUDED
- 800x450x220mm



REF : STA9050SBO

### UNDERMOUNT SINK

- MODEL: STA9050SBO
- UNDERMOUNT SINK
- SS COLOR
- SINGLE BOWL
- GRADE SS304
- BASKET WASTE & BOTTLE TRAP INCLUDED
- 900x500x220mm



## UNDERMOUNT SINK



REF : STA9045BKBO

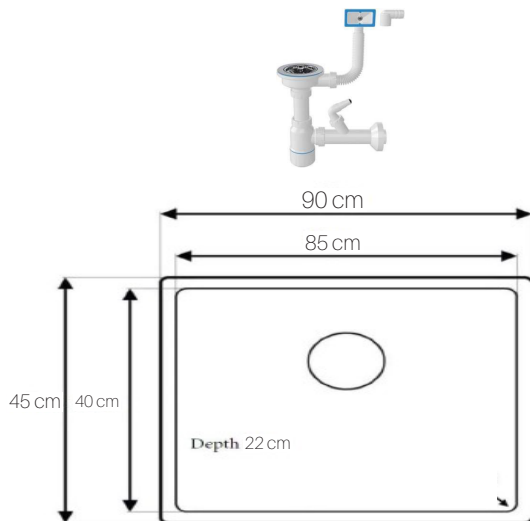


REF : STA8648SBO

### UNDERMOUNT SINK

- MODEL: STA9045BKBO
- UNDERMOUNT SINK
- SINGLE BOWL
- NANO BLACK COLOR
- GRADE SS304
- BASKET WASTE & BOTTLE TRAP INCLUDED
- DIMENSION: W\*D\*H - 900\*450\*220

- MODEL: STA8648SBO
- INSET SINK
- SS COLOR
- SINGLE BOWL SINGLE DRAIN
- GRADE SS304
- BASKET WASTE & BOTTLE TRAP INCLUDED
- DIMENSION: W\*D\*H - 860\*480\*220



## UNDERMOUNT SINK



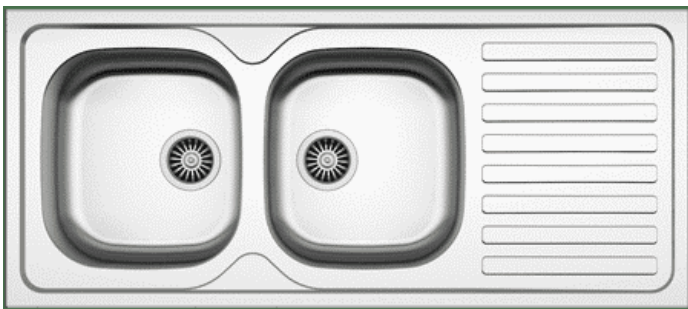
REF : STA11648SBO

- MODEL: STA11648SBO
- INSET SINK
- SS COLOR
- DOUBLE BOWL SINGLE DRAIN
- GRADE SS304
- BASKET WASTE & BOTTLE TRAP INCLUDED
- DIMENSION: W\*D\*H - 1160\*480\*220



REF : STA7545BKBO

- MODEL: STA7545BKBO
- INSET SINK
- BLACK COLOR
- GRADE SS304
- BASKET WASTE & BOTTLE TRAP INCLUDED
- DIMENSION: W\*D\*H - 750\*450\*220



REF : STA11650DB

- INSET SINK
- SS COLOR
- DOUBLE BOWL SINGLE DRAIN
- GRADE SS304
- BASKET WASTE & BOTTLE TRAP INCLUDED
- DIMENSION: W\*D - 1160\*500 mm



REF : STA8650SB

- INSET SINK
- SS COLOR
- SINGLE BOWL SINGLE DRAIN
- GRADE SS304
- BASKET WASTE & BOTTLE TRAP INCLUDED
- DIMENSION: W\*D - 860\*500 mm

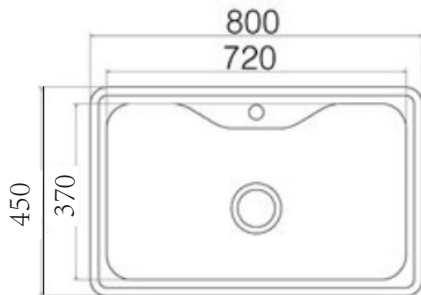
## UNDERMOUNT SINK



REF : STA8045BK

### UNDERMOUNT SINK

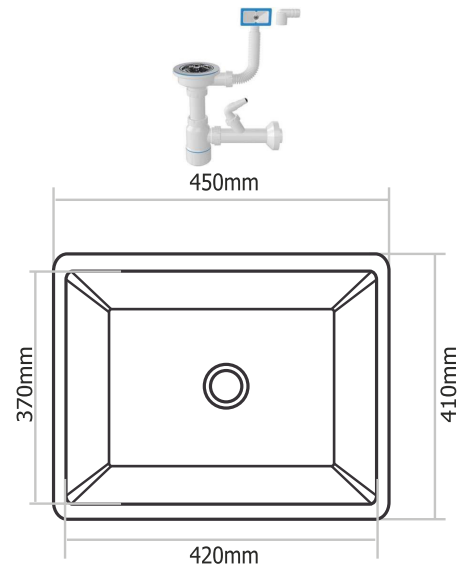
- MODEL: STA8045BK
- INSET SINK
- SS COLOR
- SINGLE BOWL
- GRADE SS304
- BASKET WASTE & BOTTLE TRAP INCLUDED



REF : STA104SB

### UNDERMOUNT SINK

- MODEL: STA104
- UNDERMOUNT GRANITE SINK
- BLACK COLOR
- 80% QUARTZ 20% ARCRYLIC RASIN
- SINGLE BOWL
- BASKET WASTE & BOTTLE TRAP INCLUDED
- WHITE & BEIGE COLOR



DIMENSION: W\*D\*H - 450\*410\*220

## UNDERMOUNT SINK



REF : STA103SB



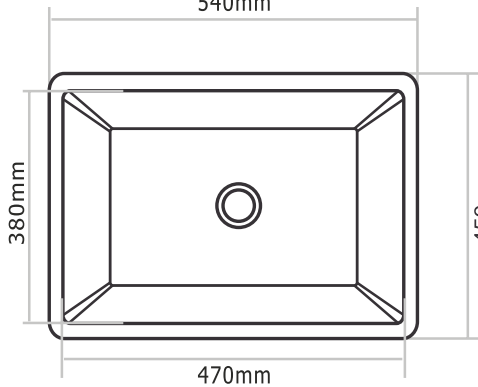
REF : STA101SB

### UNDERMOUNT SINK

- MODEL: STA103
- UNDERMOUNT GRANITE SINK
- BLACK COLOR
- 80% QUARTZ 20% ACRYLIC RESIN
- SINGLE BOWL
- BASKET WASTE & BOTTLE TRAP INCLUDED
- WHITE & BEIGE COLOR



540mm



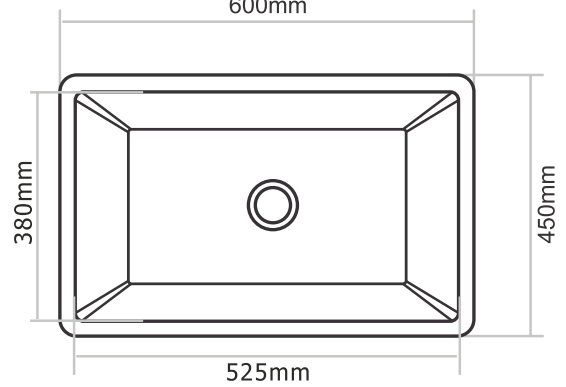
DIMENSION: W\*D\*H - 540\*450\*220

### UNDERMOUNT SINK

- MODEL: STA101
- UNDERMOUNT GRANITE SINK
- BLACK COLOR
- 80% QUARTZ 20% ACRYLIC RESIN
- SINGLE BOWL
- BASKET WASTE & BOTTLE TRAP INCLUDED
- WHITE & BEIGE COLOR



600mm



DIMENSION: W\*D\*H - 600\*450\*220

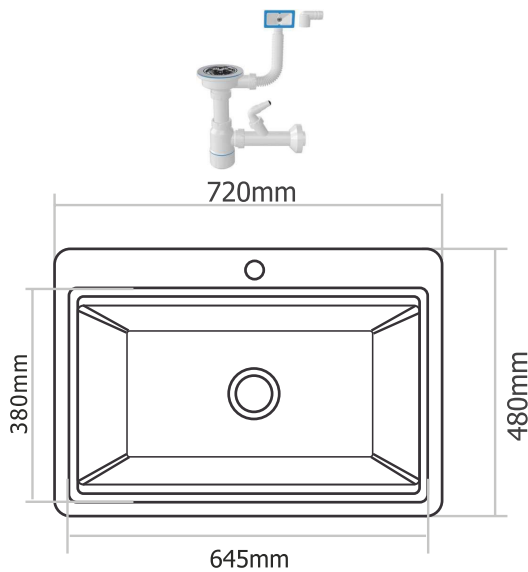
## UNDERMOUNT SINK



REF : STA102SB

### UNDERMOUNT SINK

- MODEL: STA102
- UNDERMOUNT GRANITE SINK
- BLACK COLOR
- 80% QUARTZ 20% ACRYLIC RESIN
- SINGLE BOWL
- BASKET WASTE & BOTTLE TRAP INCLUDED
- WHITE & BEIGE COLOR



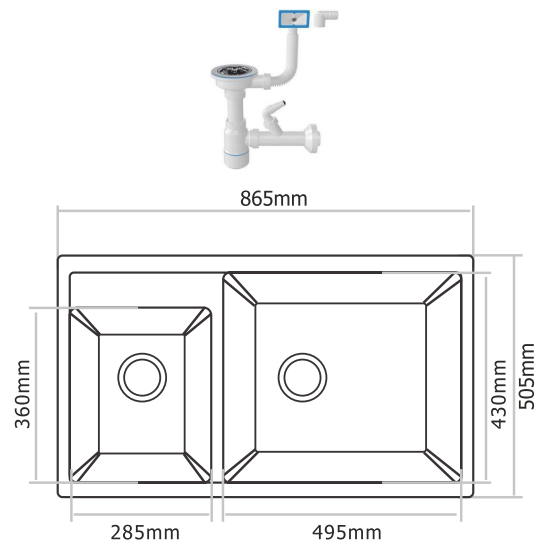
DIMENSION: W\*D\*H -720\*480\*210



REF : STA201DB

### UNDERMOUNT SINK

- MODEL: STA201
- UNDERMOUNT GRANITE SINK
- BLACK COLOR
- 80% QUARTZ 20% ACRYLIC RESIN
- DOUBLE BOWL
- BASKET WASTE & BOTTLE TRAP INCLUDED



DIMENSION: W\*D\*H - 780\*485\*195

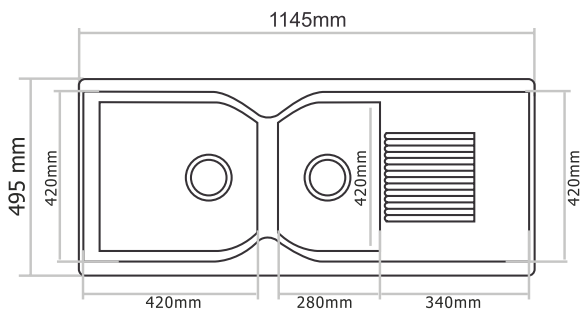
## UNDERMOUNT SINK



REF : STA501DB

### UNDERMOUNT SINK

- MODEL: STA501
- UNDERMOUNT GRANITE SINK
- BLACK COLOR
- 80% QUARTZ 20% ACRYLIC RESIN
- DOUBLE BOWL SINGLE DRAIN
- BASKET WASTE & BOTTLE TRAP INCLUDED



DIMENSION: W\*D\*H -1145\*495\*210



# MIXER



REF : A4151

## MIXER

- Single lever sink mixer. Material: Brass.
- Color Finish: Chrome plated.



REF : STA201DB

## MIXER

- Single lever sink mixer with swivel spout.
- Material: Grade A (Lead-free) Brass.
- Color Finish: Chrome plated.



REF : A4594F

## MIXER

- Single lever sink mixer with swivel spout.
- Material: Grade A (Lead-free) Brass.
- Color Finish: Matt Black.



REF : A5179AT4

## MIXER

- Single lever sink mixer with swivel spout.
- Material: Grade A (Lead-free) Brass.
- Color Finish: Chrome plated.

# MIXER



REF : A5179AT4

## MIXER

- Purification sink mixer with swivel spout.
- With extra inlet and spout for drinking water.
- Material: Brass.
- Color Finish: Gun Color



REF : A4490F3

## MIXER

- Single lever sink mixer with swivel spout.
- Material: Grade A (Lead-free) Brass.
- Color Finish: Chrome plated



REF : A4490F3

## MIXER

- Single lever sink mixer with swivel spout.
- Material: Grade A (Lead-free) Brass.
- Color Finish: Matt Black



REF : SUPO2401

## MIXER

- Pull Out Sink Mixer
- Color Finish: Matt Black/Chrome

# MIXER



REF : A4890FF2

## MIXER

- Single lever sink mixer with swivel spout.
- Material: Brass.
- Spout Color: Gray.
- Color Finish: Chrome plated



REF : A4890FF2

## MIXER

- Single lever sink mixer with swivel spout.
- Material: Brass.
- Spout Color: Black.
- Color Finish: Matt Black / Chrome



REF : A4890TF2

## MIXER

- Single lever sink mixer with silicon swivel spout.
- Material: Brass.
- Spout Color: Black.
- Color Finish: Matt Grey



REF : A54908

## MIXER

- Single lever sink mixer with pull-out swivel spout (2 functions).
- Material: Brass.
- Color Finish: Chrome plated

# MIXER



REF : A4594AW

## MIXER

- Single lever sink mixer with swivel spout.
- Material: Grade A (Lead-free) Brass.
- Color Finish: Brushed Gold



REF : A4490AW3

## MIXER

- Single lever sink mixer with swivel spout.
- Material: Grade A (Lead-free) Brass.
- Color Finish: Brushed Gold



REF : A5179AW13

## MIXER

- Purification sink mixer with swivel spout.
- With extra inlet and spout for drinking water.
- Material: Brass.
- Spout Color: Black.
- Color Finish: Gold







[www.sabtaj.ae](http://www.sabtaj.ae)

[www.baeckerhaft.com](http://www.baeckerhaft.com)